

TMF[®] Car Audio Power Booster

SecureSound

F600

USER'S MANUAL



Powered by
**Bolder
Tech**[™]

Advanced Battery
Technology
A Division of GP Batteries

SecureSound *Car Audio Power Booster*

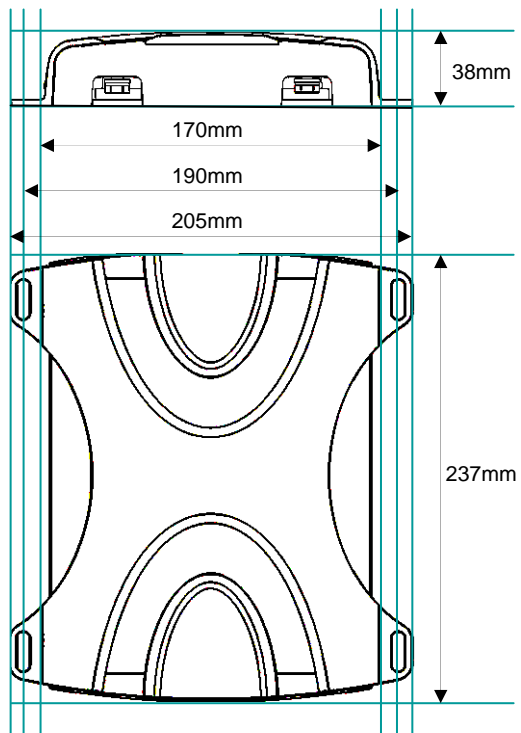
SecureSound F600

WITH SYSTEM VOLTAGE DISPLAY

- Thank you for purchasing the most powerful power-pack for your automotive audio system.
- SecureSound F600 is powered by Bolder Technologies' patented Thin Metal Film (TMF[®]) technology.
- Produced with an advanced mechanical construction, tightly packed ultra thin plates to provide the ultra low internal resistance, which offers staggering high current output capability and superior fast recharge rate.
- The most powerful compact and reliable car audio power-pack ever produced specially for car audio enthusiast, one of the best match for stiffening capacitors.
- Fast response to audio peak power demand, improve vehicle's voltage stability, and hence, better sound quality.
- SecureSound F600 is a totally sealed design that allows custom installation inside the vehicle.
- Built for extreme duty performance, long service life and maintenance-free operation; built to extend car battery life.
- Extremely helpful in air-conditional car in hot summer.

Product Features

Product Code	...	GPAP122BG-JES
Product Brand	...	Secure Sound
Model No.	...	SecureSound F600
Pack Capacity	...	2000 mAh
Working Voltage	...	12 VDC
400 A Discharge	...	8 seconds
Max. Surge Current	...	1500 Amps
Operating Temperature	...	-20°C to +60°C
Internal Resistance	...	< 8 mΩ
Voltage Display	...	3-digit LED display
Dimensions	(L)	... 237 mm
	(W)	... 205 mm
	(H)	... 38 mm
Weight	...	1.8 kg



Before Installation

①

The backup alkaline battery pack is located at the bottom of the SecureSound F600

②

Detach the connection from the slit as shown.

③

At the other end of the SecureSound F600, remove the cover as shown.

④

⑤



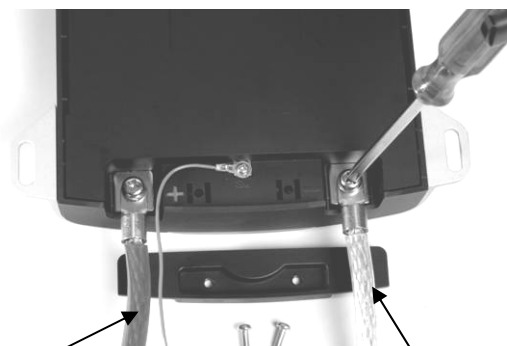
Remove the wire from the screw connector as shown.

⑥



Remove the alkaline battery pack from SecureSound F600 by cutting the shrunk wrap.

⑦

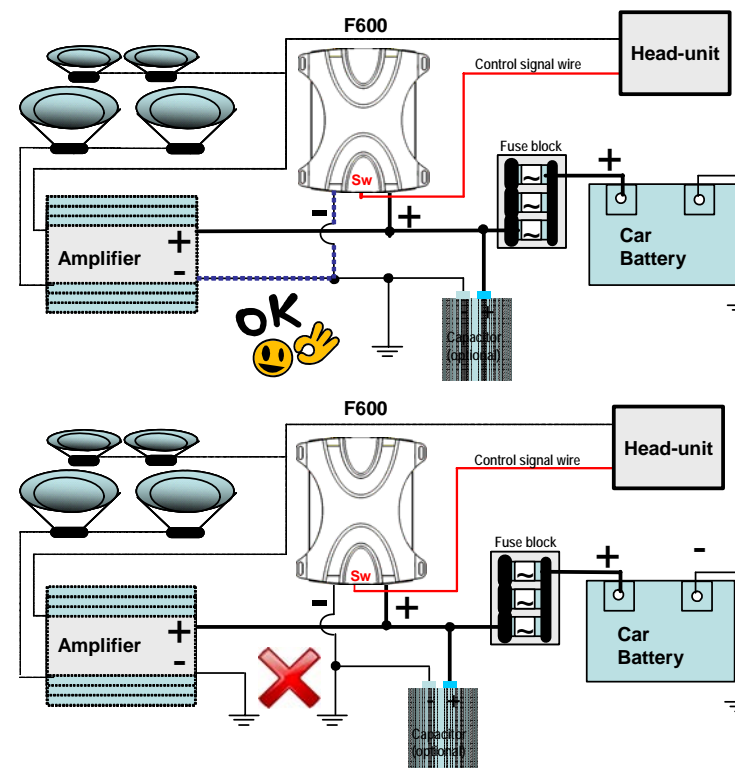


Positive (+) wire to the amplifier (+), car battery (+) or capacity (+) (optional)

Control signal wire

Negative (-) wire directly to the amplifier (-), and capacitor (optional) (-)

Installation And Wiring



Installation Instructions:

The SecureSound F600 is for vehicle with a 12-volt electrical system and negative grounding. Please check and verify the battery voltage before installing.

1. Remove the alkaline battery pack from the SecureSound F600.
2. Mount SecureSound F600 firmly in the vehicle.
3. Connect the 12V output control signal wire from the vehicle audio system's head-unit to '12V Sw' terminal of the TMF Audiobat. Tighten the cable securely to the terminal with screw. Please refer to the installation manual of the head-unit to locate the control signal wire. [Sw: system remote control (On/Off) lead, 12VDC from the head unit (the main unit – system controller / player).]
4. Connect a cable from the “-” of the SecureSound F600 to the vehicle's lead-acid battery negative terminal or the vehicle chassis (as ground); the same point must also be directly connected to the amplifier's “-” terminal. Tighten the cable securely to the terminal with a M6-16mm terminal screw provided, at a maximum torque of 2.0Nm (18in.lbs).
5. Connect another cable from the “+” of the SecureSound F600 to the lead-acid battery positive terminal. Tighten the cable securely to the terminal with a M6-16mm terminal screw provided, at a maximum torque of 2.0Nm (18in.lbs).
6. High performance 4 gauge/25mm² or better, tinned 99.9999% OFC power cable is recommended.



Warning / Safety Information

1. Never use any conductive metal to touch the SecureSound F600's terminals, they are LIVE at all times, and will spark once they are touched and short-circuited.
2. Always verify the SecureSound F600 positive terminal by the "+" sign before connecting cable to Hi-Fi circuit.
3. Never block the vent-holes at the rear of the SecureSound F600.
4. Alkaline battery pack only to be removed just before the installation of SecureSound F600 to car Hi-Fi system.
5. Do not attempt to disassemble the SecureSound F600. Doing so shall void the warranty. The power back is capable of generating very high current, which may cause severe burns or injury.
6. Do not charge the SecureSound F600 with any battery charger. Severe electrical shock may result. Consult manufacturer for charger and charging information.
7. If storage of SecureSound F600 for longer than 6 months is necessary, consult authorized agent for special maintenance procedure.
8. Never immerse SecureSound F600 into water.
9. Keep SecureSound F600 away from direct sunlight, heat and high humidity environment.
10. Do not store SecureSound F600 in proximity with metal parts, such as tools and wires etc.

//IMSS-F600-E, 20080815//



Re-order Product Number

GPAP122BG-JES



4 891199 100482